

Double Head, More Power Efficiency



KPP2 Peristaltic Pump

Driven by the motor rotor is rotated, through the alternate rotor on Flexible delivery hose of the pump for extrusion and release to pump Fluids, so as to achieve a suction effect;  
Flow rate range :12.5~155ml/min;  
Under normal operation, motor lifetime can up to 1000 hours.



APPLICATION  
AREAS



Laboratory  
Liquid packaging,  
distribution,  
Quantitative extraction  
and Plling



Inkjet  
Ink transfer,  
Pipe cleaning



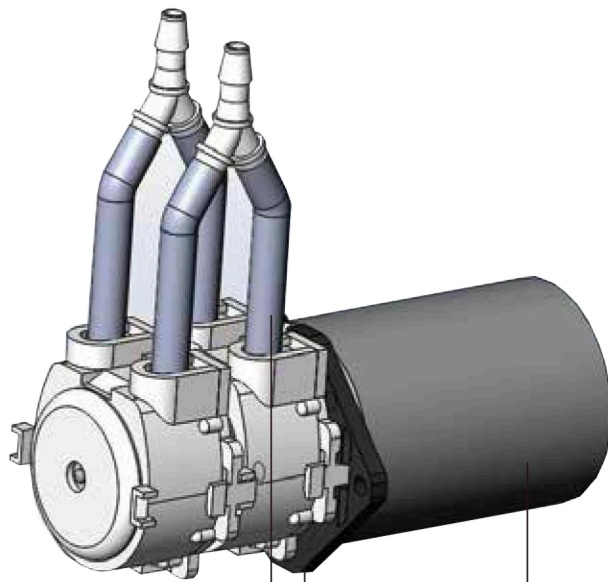
Environmental  
protection  
Wastewater  
sampling, transport



Chemical  
Liquid transfer,  
sample analysis Filling



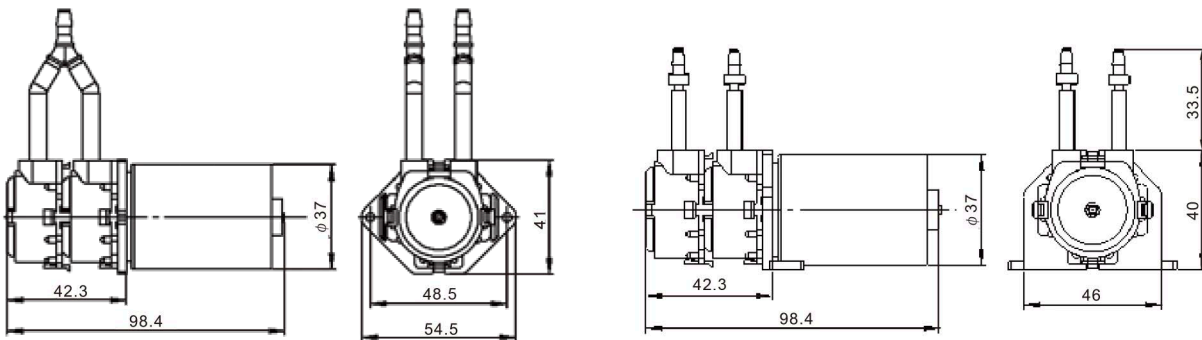
Instruments equipment  
oil equipment Machine  
tool lubricants



KPP2- 24 [ ] B 08

Flat plate  
Unit: mm

L plate



| Model       | ID*OD (mm) | Voltage (V) | Current (A) | Single head Flow rate (ml/min) | Double head Flow rate (ml/min) |
|-------------|------------|-------------|-------------|--------------------------------|--------------------------------|
| KPP2-24-B03 | 1*3.2      | 24          | 0.15-0.27   | ≥12.5                          | ≥25                            |
| KPP2-24-B06 | 2*4        |             |             | ≥40                            | ≥80                            |
| KPP2-24-B10 | 3*5        |             |             | ≥77.5                          | ≥155                           |
| KPP2-12-B03 | 1*3.2      | 12          | 0.3-0.5     | ≥12.5                          | ≥25                            |
| KPP2-12-B06 | 2*4        |             |             | ≥40                            | ≥80                            |
| KPP2-12-B10 | 3*5        |             |             | ≥77.5                          | ≥150                           |