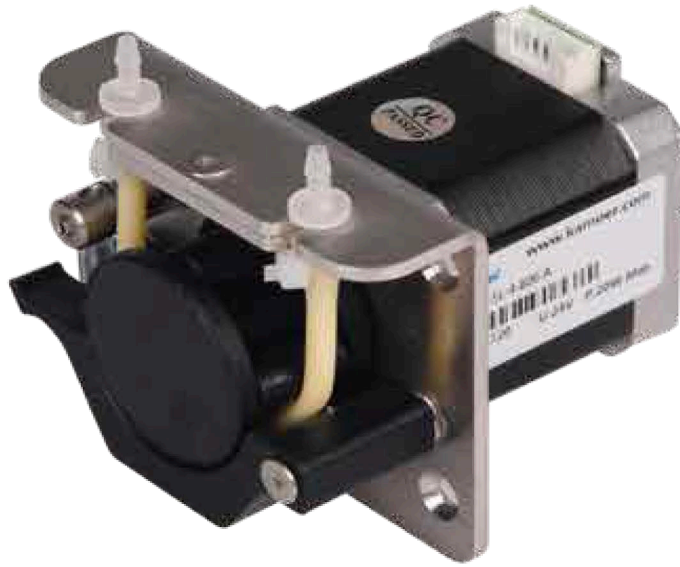
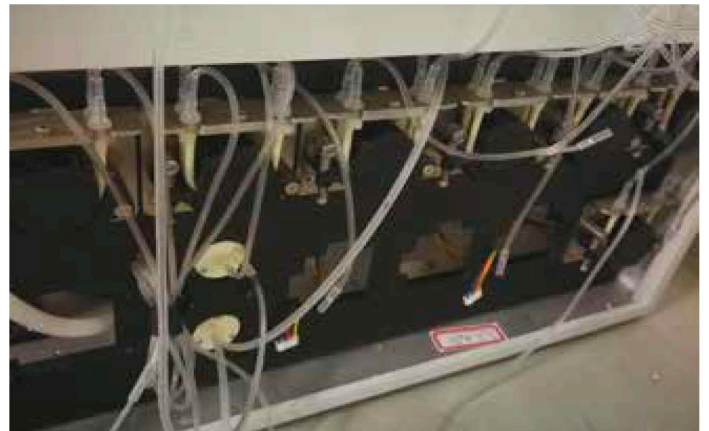


High Percision, Stepper Motor



KCS Plus Peristaltic Pump

- ◆ Suitable for viscous, non-viscous liquid transport
- ◆ High precision and small pulsation
- ◆ Can be placed outside the instrument panel and detected by grounding
- ◆ Simple structure and high reliability
- ◆ Quickly change pump tubing
- ◆ Excellent stepper motor performance through ground detection, EMC requirements



APPLICATION AREAS



Laboratory
Liquid packaging,
distribution,
Quantitative extraction
and Plling



Instruments equipment
Medical instrument and
equipment Analysis
equipment Environmental
protection equipment



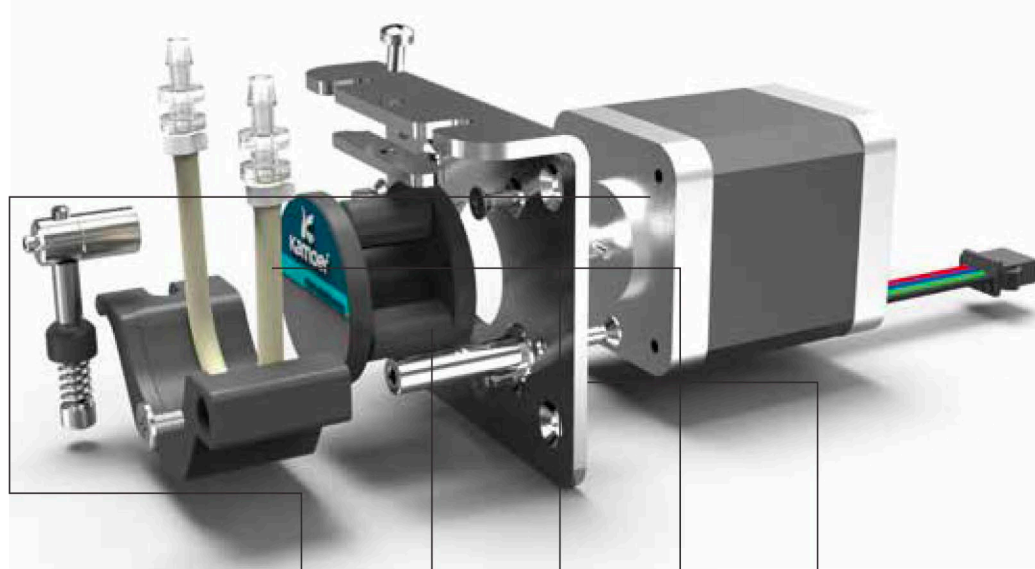
Water quality analysis
Environmental protection,
water treatment



Biochemical Analyzer
Use with the equipment,
Liquid transport,
sampling, bottling



Food
Liquid blending



KCS PLUS- SL 4 B 06 A

Motor Rotor Pump tube Pump tube size Installation

Performance parameter table

Code			S04	S06	S10	B04	B06	B10
ID*OD (mm)			1*3	2*4	3*5	1*3	2*4	3*5
Pump tube			S	S	S	B	B	B
Flow Rate (ml/min)	24V (SL)	4 Rotor	30	95	180	26	92	176
		8 Rotor	18	64	94	18	64	94
	12V (SM)	4 Rotor	24	93	175	23	90	170
		8 Rotor	16	56	72(400rpm)	15	55	70(400rpm)
Note: Ideal working condition: ambient temperature 0~40°C Relative humidity < 80% Weight: ≈ 500g								

Note 1: The above data is measured at standard atmospheric pressure, at 20 °C, under 450rpm speed with pure water. The data is for reference only. The rate can be customized by demand.

Note 2: The stepper motor is different from the current, under the same current conditions: Low Voltage, rough pump tube cannot get a higher speed, there may be out of step motor stall, otherwise there is no problem.

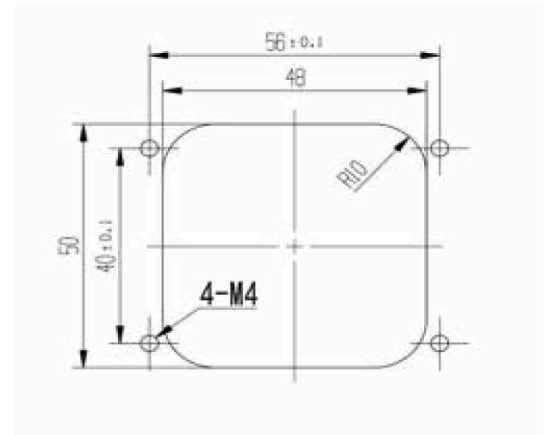
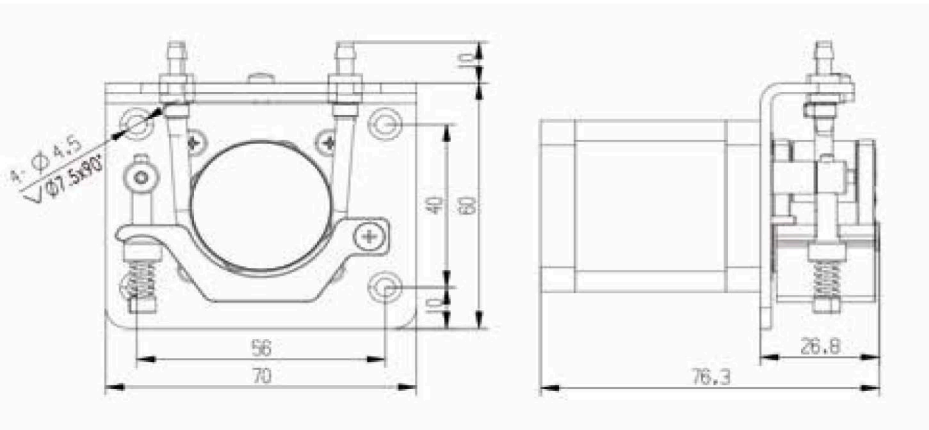
Example 1: 12V voltage, 8 rotors, 3 * 5 BPT tube can only be used under 400 rpm, may cause a step out if the speed rate is too high.

Example 2: 24V voltage, 4 rotors, 1 * 3 BPT tube can increase the speed to 500 or more.

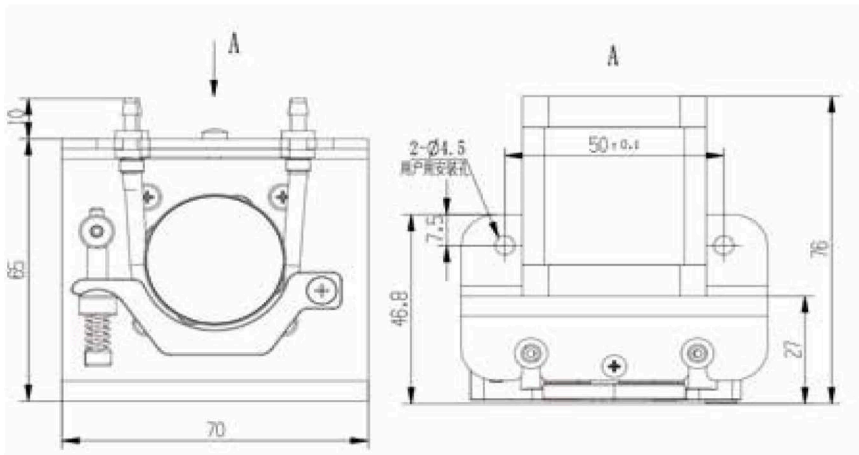
Dimensions

Straight Dimensions (straight installation)

Stepper motor straight installation recommended, hole size P_{gure}



Stepper motor L plate Dimensions (L board installation)



Stepper motor parameters and wiring diagram

Step angle: 1.8 °
Current: 1.2A

Two-phase Four-wire
Cable length: 400mm

