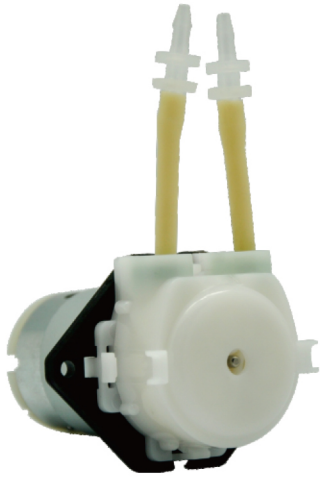




Peristaltic Pump Series
- KPP

High performance,
Stable and controllable



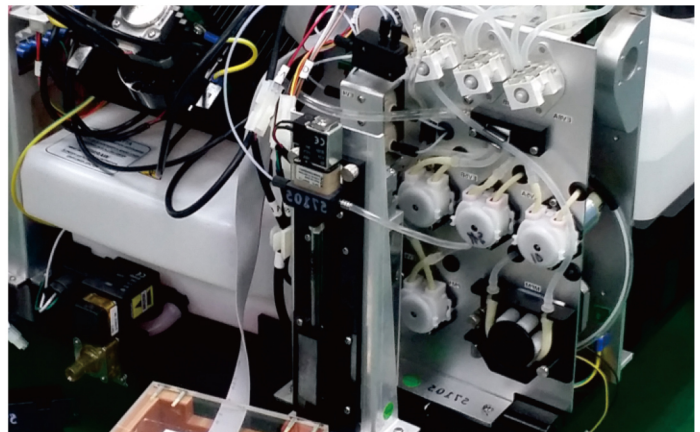
Flat plate



L plate

KPP Peristaltic pump

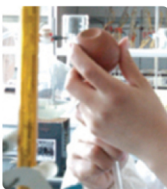
KPP Peristaltic pump with thin wall thickness tube;
Flow between 1.2-90ml/min;
Small size, low power consumption, to meet
the different needs of customers;
Four colors for the customer to choose, different
colors reflect different personalities;
Suitable for intermittent working situations.



APPLICATION
AREAS



Laboratory
Liquid packaging,
distribution,
Quantitative
extraction and
filling



Environmental
protection
Wastewater
sampling, transport



Printing&Packaging
Ink transfer,
Pipe cleaning,
recycling



Aquarium
Fish tank water
circulation,Adding
trace elements



Smart Home
Water the flowers,
potted landscape
irrigation



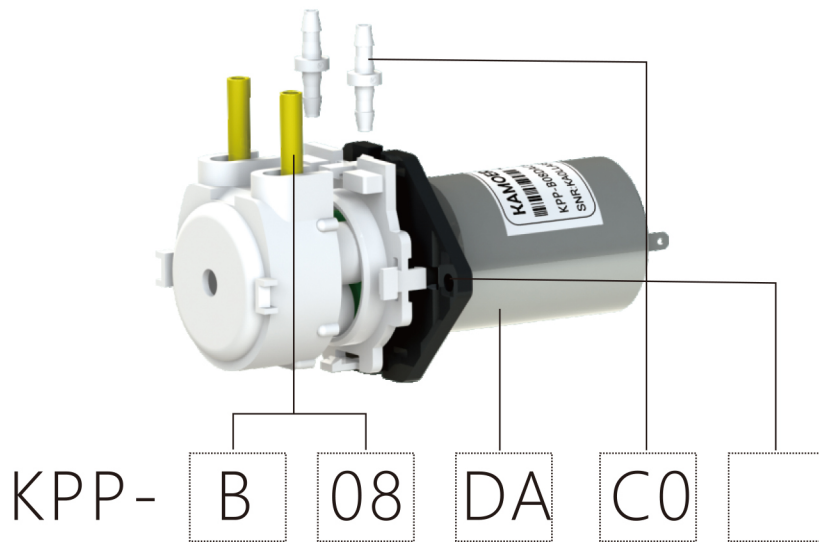
Instruments
equipment
Dishwashers,
oil equipment
Machine tool
lubricants



Aviation operations
Unmanned
aircraft sprays



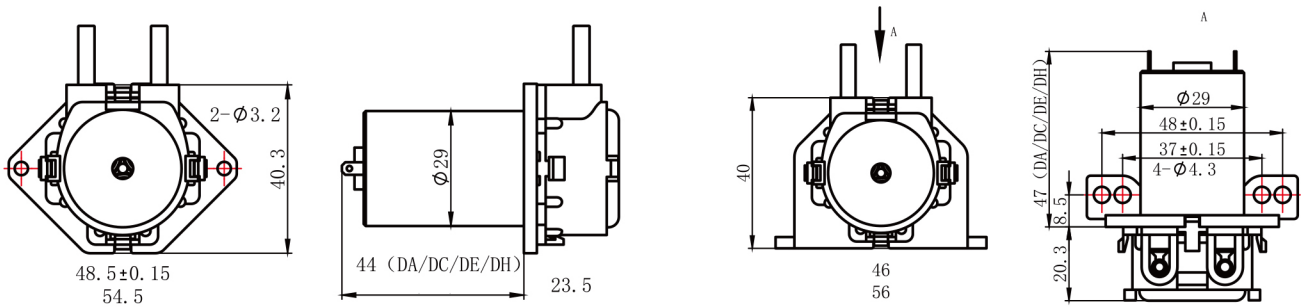
Wiping machine
Machine accessories



Flat plate

Unit: mm

L plate



Flow rate Model selection

Code	S01	S02	S04	S05	S06	S08	S10	B03	B06	B08	B12	
ID*OD (mm)	0.4*3.0	0.6*3.0	1.0*3.3	1.5*4.0	2.0*4.0	2.5*4.5	3.0*5.0	1.0*3.2	2*4	2.5*4.5	1.5*3.5	
Tube Material	Silicon	Silicon	Silicon	Silicon	Silicon	Silicon	Silicon	BPT	BPT	BPT	BPT	
Flow Rate (ml/min)	DH (3V) Current 0.16A	≥1.2	≥2.8	≥4.5	≥10	≥17.5	≥30	≥41.5	≥5.2	≥12	≥15	≥22
	DE (6V) Current 0.15A	≥3	≥5	≥10.5	≥22	≥36	≥60	≥90	≥11	≥25	≥38	≥48
	DC (12V) Current 0.25A	≥2.6	≥4.5	≥10	≥22	≥37	≥55	≥80	≥10	≥22	≥33	≥47
	DA (24V) Current 0.3A	≥2	≥4	≥10	≥21	≥38	≥59	≥83	≥11	≥21	≥34	≥48

Note: the above test data of new KP is measured at 20 °C at room temperature pure water under no pressure until the pump tube crack. Actual service life is related with medium, condition, temperature, humidity, voltage, speed and other factors, the measured data as a reference