

Pump Machine Series - KCP Plus

Adjustable flow, Intelligent pump machine



User can adjustable the flow by rotating the knob, this pump can meet various flow requirement. And easy to change the tube. The noise is very low, it has three rotors and the pulse is moderate.

Working temperature : 0~40°C
 Relative humidity : < 80%
 Weight : 587g
 Tubing length:
 135mm(29.5mm exposed), BPT
 175mm(49.5mm exposed), Silicon tubes



Inkjet

Transfer the ink,
cleaning the pipe



Aquarium

Using for fish tank 's
water cycle,
adding the microelement,
change the water



Teaching equipment

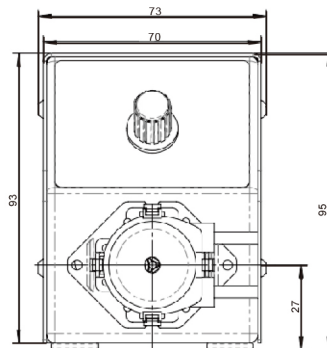
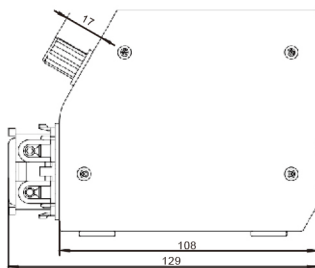
School,
research institutes



Experiment

Dispense the liquid
Extract and filling the
liquid on time

Size(Unit: mm)



Code		S02	S04	S06	S08	S10	B06	B08
ID*OD(mm)		0.6*3.0	1.0*3.3	2.0*4.0	2.5*4.5	3.0*5.0	2.0*4.0	2.5*4.5
Tube Material		Silicon	Silicon	Silicon	Silicon	Silicon	BPT	BPT
Flow Rate(ml/min)	24V Power 5W	2.6~4	4~14	11~34	17~50	19~65	9.3~32	14.6~41.5