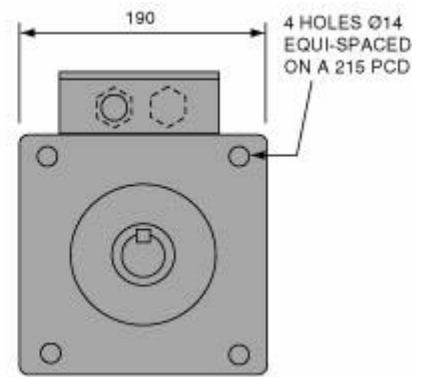
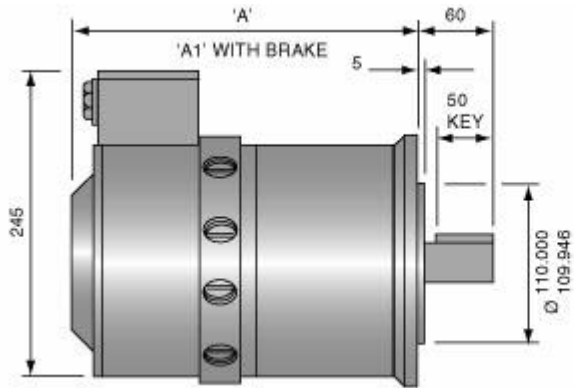
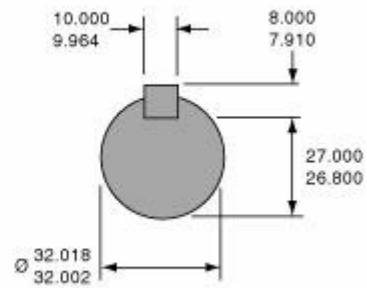


MT 52



'CD' FLANGE

TYPE (METRIC)	A	A1
MT52 K8	259	331
MT52 V8	331	403
MT52 ZF8	403	475
MT52 ZR8	475	532
DBMT52 ZF8	430	502
DBMT52 ZR8	502	559



SHAFT END DETAIL