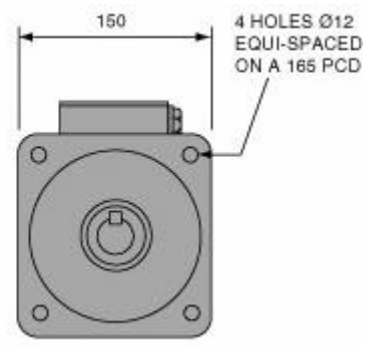
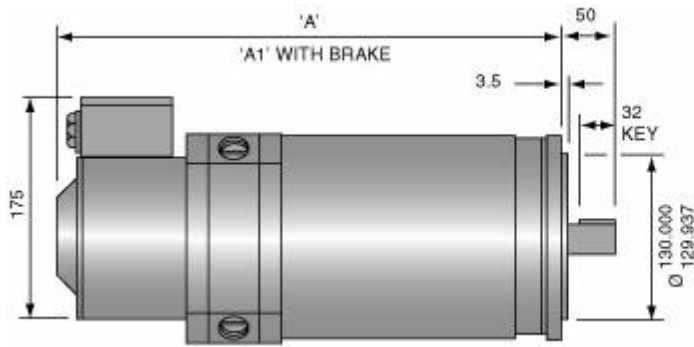
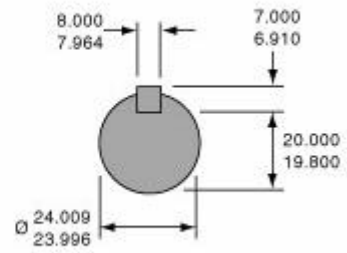


MT 40



'CD' FLANGE

TYPE (METRIC)	A	A1
MT40 P4	337	382
MT40 W4	382	427
MT40 ZD4	427	472



SHAFT END DETAIL