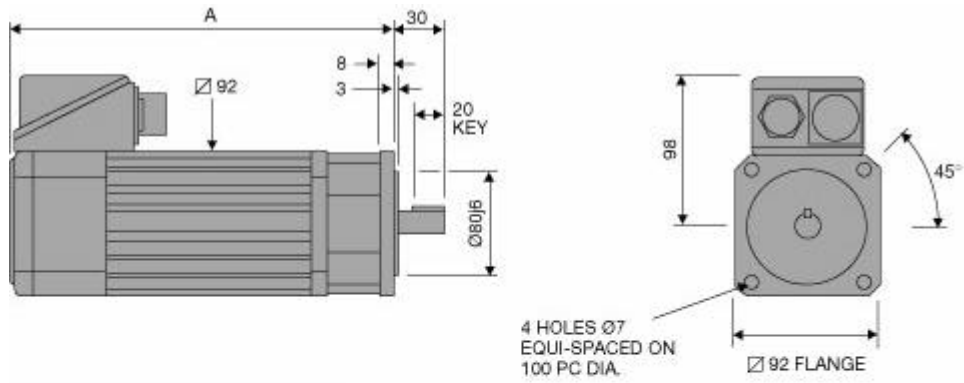
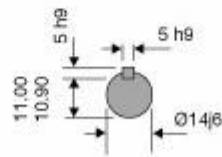


HD/HR 92



FRAME	DIMENSION 'A'
HD/HR92C	230
HD/HR92E	250
HD/HR92G	270
HD/HR92J	290



SHAFT END
DETAIL