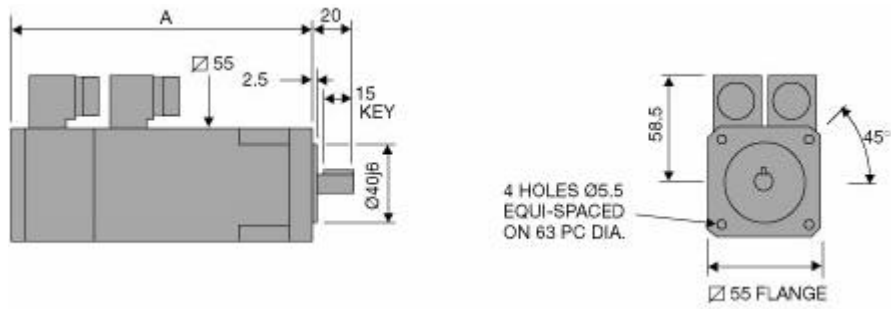


HD 55



FRAME	DIMENSION 'A'			
	SINUSOIDAL MOTORS		TRAPEZOIDAL MOTORS	
	NO BRAKE	WITH BRAKE	NO BRAKE	WITH BRAKE
HD55A	122	158	140	176
HD55C	140	176	158	194
HD55G	176	212	194	230

