



info@servotecnica.it
www.servotecnica.it



Electronics

Packaging

AUTOMATION

Medicals

Industry

Defence

Robotics

Applications

- ▶ Compact size
- ▶ Quick delivery
- ▶ Low cost
- ▶ Ideal for signal and power transmission
- ▶ Noble metal alloy rings and brushes
- ▶ High reliability and maintenance-free duration
- ▶ Very low friction torque
- ▶ Smooth operation
- ▶ In compliance with CE e ROHS standards

SLIP RINGS



servotecnica



Model	Circuits total nbr.	Nbr. of circuits					Out.diameter/ Length (mm)	Voltage (V)	Terminals	
		2A	5A	14A	20A	40A			Power	Signal
SRC 032-2	2	-	-	2	-	-	32/28	240	0.8 x 6.3 mm	-
SRC 032-3	3	-	-	3	-	-	32/28	240	0.8 x 6.3 mm	-
SRC 032-4	4	2	-	2	-	-	32/28	240	0.8 x 6.3 mm	0.8 x 2.8 mm
SRC 040-8P	8	-	-	8	-	-	40/72	400	AWG16	-
SRC 040-4P	4	-	-	2	-	2	40/59	400	AWG16 (14A); AWG10 (40A)	-
SRC 045-8	8	-	2	-	6	-	45/65	400	0.8 x 6.3 mm	0.8 x 2.8 mm

OTHER MODELS AVAILABLE

SRH 3899 Series



SRC Series



SRT Series


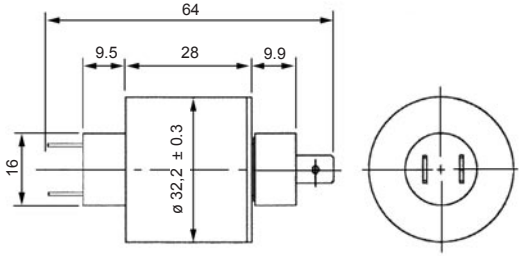

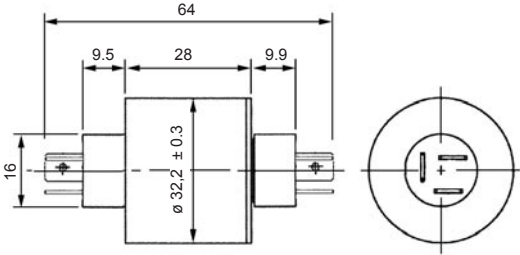

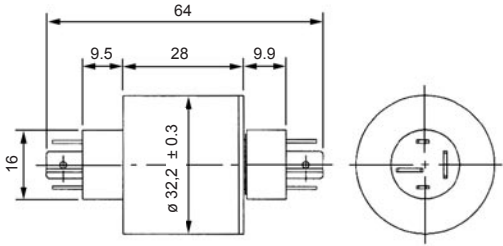

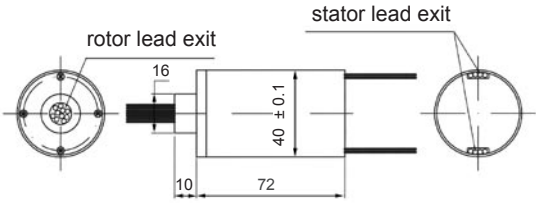

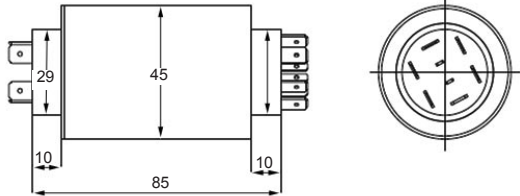


SRH 1254 Series



SRH 2578 Series



Standard SRC 032-2	Dimensions (mm)
	
Standard SRC 032-3	Dimensions (mm)
	
Standard SRC 032-4	Dimensions (mm)
	
Standard SRC 040-8P	Dimensions (mm)
	
Standard SRC 045-8	Dimensions (mm)
	

SRC 032 / 040 / 045 Series

Slip Rings can be used in any system requiring the transmission of electrical and/or power signals to an intermittently or continuously rotating shaft.

Thanks to the small ring diameter, the **SRC 032, 040 and 045 Series** grants low peripheral speed between brushes and rings, as well as reduced dynamic imbalance what means very low wear and, as consequence thereof, a considerable life duration. Moreover, thanks to the use of noble metals and to a new technology (allowing multiple contact points between brushes and ring) electric noise and interferences among circuits are considerably reduced, besides assuring low contact electric resistance.

Conceived to deliver a flexible, cost-effective, reliable and hi-quality solution, these units are available in many standard configurations and with 2 to 8 circuits. Their compact size allows installation into small systems thus requiring high performances.

Standard applications

- ▶ Packaging machines
- ▶ Machine tools
- ▶ Rotary tables
- ▶ Process control equipment
- ▶ Medical equipment
- ▶ Cable reels

Standard features

- ▶ Cables: silver plated - PTFE insulation and colour coded for SRC 040 Series
14A: AWG16; 40A: AWG10
- ▶ Cable length: 500 mm. standard for SRC 040 Series (other lengths on demand)
- ▶ Dielectric strength: 500 VAC a 60 Hz for 10 sec.
- ▶ Insulation resistance: > 1000 M Ω / 500 Vcc
- ▶ Noise: < 100 m Ω at 6 Vcc e 50 mA (at 5 rpm)
- ▶ Contact resistance: 0,01 Ω typic
- ▶ Nominal speed: 400 rpm (for higher speed up to 600 rpm, please contact us)
- ▶ Temperature: -40°C to +80°C
- ▶ Bearings: precision steel ball bearings
- ▶ Contact material: noble metal alloy
- ▶ Rating life: 10⁸ revolutions (depending on speed and on enviromental conditions)
- ▶ Protection: IP 51